

MOV SERIES MOTOR VALVE



www.allaqua.net

Type:	MOV—Motor Operated Ball Valve
Version:	Normally Closed (C) or Normally Open (O)
Body Material:	304SS, 316SS, Brass, PVC
Seal Material:	FKM (to 150°C) (V) EPDM (to 120°C) (E)
Working Pressure:	0- 10 Bar
Power:	230VAC, 24VAC/DC
Protection Class:	IP65
Medium:	Fluid, air.
Other:	Position Indication, weather cover, cable length 1.5m



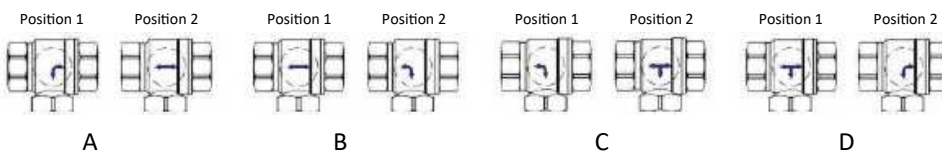
ORDER CODE EXAMPLE:

MOV 15 6 V C 1 0 2 2 - 24

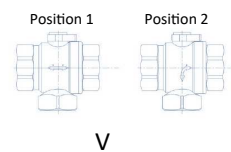
Type	Size mm	Body	Seals	Version*	Version	Version	Wiring Version	Valve Configuration	Voltage
MOV	08 10 15 20 25 32 40 50	6 = 316SS 4 = 304SS B = Brass P = PVC	V = Viton E = EPDM N = NBR	C = Normally Closed O = Normally Open *2 port Valve only	1 = Manual Override 0 = Without Manual Override	0 = Without Limits 1 = With Limits	2 = 2 Wire 3 = 3 Wire	2=2 port 3 port Models: A = T Port, Flow A B = T Port, Flow B C = T Port, Flow C D = T Port, Flow D L = L Port V= Vertical	24 = 24AC/DC 230 = 230VAC

3 PORT VALVE CONFIGURATIONS SHOWING FLOW DIRECTION:

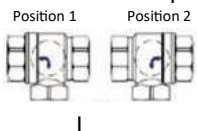
Horizontal Valves T port:



Vertical Valves:



Horizontal Valves L port:



MOV SERIES MOTOR VALVE



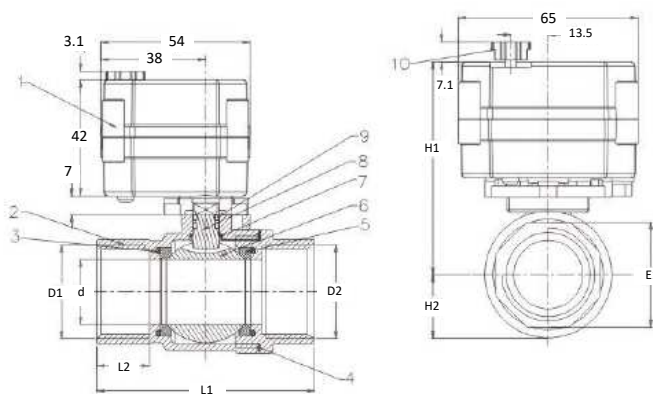
www.allaqua.net

TECHNICAL PARAMETERS:

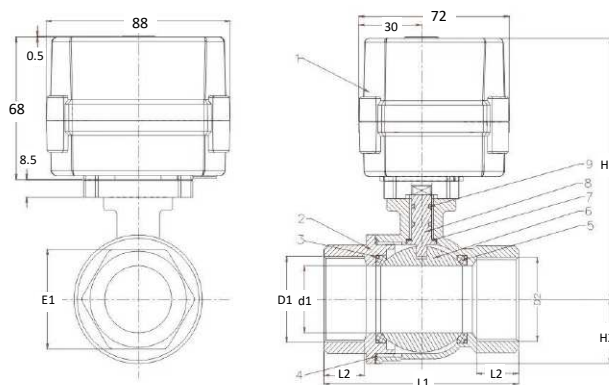
Stainless Steel Valves							
Model	BSP	d	L1	L2	E1	H1	H2
MOV8	1/4"	10	51	12	21	70	14
MOV10	3/8"	10	51	12	21	70	14
MOV15	1/2"	15	63	14	25	70	17
MOV20	3/4"	20	72	17	31	74	20
MOV25	1"	25	81	18	38	82	24
MOV32	1 1/4"	32	102	23	47	122	31
MOV40	1 1/2"	40	115	25	52	130	36
MOV50	2"	50	130	25	66	138	45

Brass Valves							
Model	BSP	d	L1	L2	E1	H1	H2
MOV8	1/4"	8	49	12	20.5	68.5	12
MOV10	3/8"	10	49	12	20.5	68.5	12
MOV15	1/2"	15	56	13	25	71	16
MOV20	3/4"	20	66	15	31	74	19
MOV25	1"	24	71	15	38	76	22
MOV32	1 1/4"	25	79	20	46	78	25

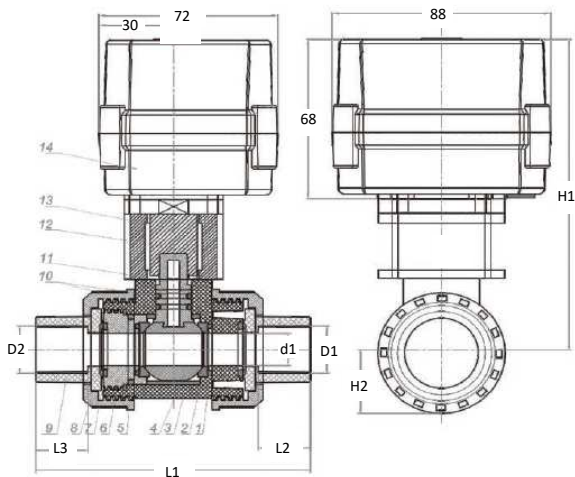
MOV8-MOV25 SS and MOV8-MOV32 Brass Valve Dimensions :



MOV32-MOV50 SS Valve Dimensions:



MOV15-MOV50 PVC Valve Dimensions:



PVC Valves						
Model	BSP	d	L1	L2/L3	H1	H2
MOV15	1/2"	15	104.8	22.3	130	27.5
MOV20	3/4"	20	113	25.5	134.5	32
MOV25	1"	25	127	28.6	146.3	37.5
MOV32	1 1/4"	32	142	32	156.8	42.75
MOV40	1 1/2"	40	157	35	163.6	50
MOV50	2"	50	174	36	185	59

COMPONENTS:

Name	Actuator	Valve Body	O-ring	Sealing	Ball	Stem	O-ring
Material	PPO	SS, Brass, UPVC	FKM,EP	PTFE	SS,UPVC	SS, Brass,UPVC	FKM